

INFORMATION PACK

- > RANGE OF QUALITY DOOR SAFETY PRODUCTS
- > HINGE GUARDS TO PREVENT SERIOUS INJURY AT THE HINGED END OF DOORS



- > Fingersafe door safety systems are a unique, patented, easy to install and inconspicuous hinge guard designed to prevent fingers being trapped at the hinged end of doors.
- > Fingersafe assists every child friendly entity to minimise their risks, and limit their liability, of finger entrapment injuries.
- > Fingersafe is suitable for all doors, including bi-fold, frameless and fire doors.
- > Fingersafe allows 180° unimpeded operation of doors.
- > Durable PVC material, suitable for high traffic areas. Extensive tests of durability exceeds 3/4 million operations.
- > Available in eight colours and fully UV resistant.
- > Easy to install. 2 year guarantee.

WWW.FINGERSAFE.COM.AU

CONTENTS

> INTRODUCTION

> PRODUCT RANGE

- > MK1A- for hinge opening side of door
- > MK1B- for hinge pin side of door
- > MK1C- for commercial aluminium framed doors
- > MK1C- for bi-fold and flush fit doors

> FITTING INSTRUCTIONS

> SPECIFICATIONS

INTRODUCTION

Many serious injuries occur at the hinged end of a door. Fingersafe is recognised as world leaders in providing door safety systems to prevent such injuries. Fingersafe is manufactured in the UK, and sold extensively throughout the world.

There are numerous door hinge safety guards available in the world, but Fingersafe is the most reliable and efficient door safety product available. It is a unique design, and the only device that actually ejects the fingers if they should be inserted into the hinge area of a door whilst being shut.

The Fingersafe protection device is designed specifically for commercial capacity and has proven ability to ensure the fingers are always ejected when the door closes; thus ensuring the safety aspect for which it was designed.

Fingersafe consists of two parts; the fixing strip and a pleated guard. These are made of UPVC and are co-extruded so it is rigid, yet flexible where needed. The design covers the space between the door and the hinge and ensures that there is no way the fingers can remain in the door edge to be injured.

Fingersafe is exclusive in its operation. It is installed on the hinged end of the door. Fingersafe works with the door; it lies flat against the door frame when the door is shut, yet spreads open like an accordion when the door is opened. The fingers are gently ejected if they become trapped in this area of the door while it is being closed.

Every child friendly establishment, be it a school, fast food restaurant, retailer, sporting and recreation centre, etc. would care to understand these hazards and take the initiative to minimise these risks, as well as any potential liability. Fingersafe is also widely used in aged care facilities; protecting fingers from serious injury, and limiting the liability of the providers and owners of such services.

Fingersafe is the only door hinge safety device to offer full protection and durability.

Samples and working models are freely available upon request.

PRODUCT RANGE

Needing just basic DIY knowledge, Fingersafe is easy and simple to install.

Fingersafe offers a variety of product designs to suit every need:

MK1A for the hinge opening side.

MK1B for the hinge pin side.

MK1C for commercial aluminium framed doors.

MK1C for bi-fold and flush fit doors.

STOCK LENGTH

For quality control purposes all products are UK manufactured.

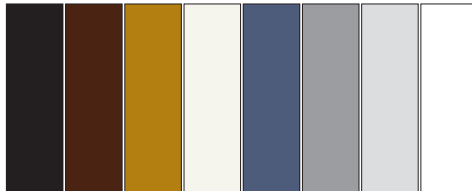
Stock length is 2032mm.

All products can be cut to shorter lengths. Longer lengths are available on special order from overseas.

COLOURS

MK1A and MK1B are available in all colours shown below.

MK1C is available in Black, Brown, Cream/Ivory, Blue, Light Grey, Dark Grey and White (i.e. not Caramel).



PLEASE SEE ENCLOSED THE FITTING INSTRUCTIONS FOR ALL FINGERSAFE PRODUCTS

MK1A- for hinge opening side of door

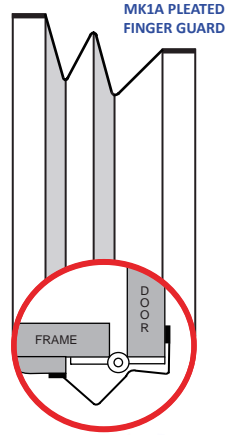
> MK1A- Opening (push) side protection, this accordion shape gently ejects fingers from the opening area at the hinge gap.

> This product will fit wood, aluminium, metal, stainless steel and UPVC doors to a full 180° to a maximum opening of 125mm (5 inches).

> We can adapt the MK1A to fit doors or gates with a maximum opening of 215mm (8.5 inches).



DOOR OPEN VIEW



BIRD'S EYE VIEW
DOOR OPEN

MK1A FITTED TO WOOD-FRAMED DOOR



MK1A FITTED TO STEEL-FRAMED DOOR



MK1B- for hinge pin side of door

> MK1B- Hinge pin (pull) side protection, preventing injuries from the gap at the protruding hinge side of the door.

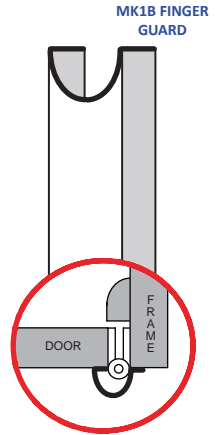
> For standard hinges up to parliament size. We can adapt for larger openings.

> This model fixes to the door frame and outside edge of the door, forming a protective seal over the hinge.

> Please note that not all doors require this product. (If a door opens onto a wall, MK1B will not be required as the gap on that side cannot be accessed. However, if the pin side can be accessed, MK1B is necessary.)



DOOR CLOSED VIEW



MK1B FINGER GUARD

BIRD'S EYE VIEW
DOOR CLOSED

MK1B FITTED TO WOOD-FRAMED DOOR



MK1B CAN BE FITTED IN REVERSE WHEN
ARCHITRAVE REQUIRES



MK1C- for commercial aluminium framed doors

MK1C FITTED TO COMMERCIAL ALUMINIUM-FRAMED DOOR



> MK1C- Operates as MK1A but with a unique fixing strip which allows the guard to fit appropriately over the door stop that protrudes on the aluminium frame.

> Made from PVC-U and TPE, it is fireproof, weatherproof, resistant to UV and acts as a draft excluder and smoke inhibitor.

DOOR CLOSED VIEW



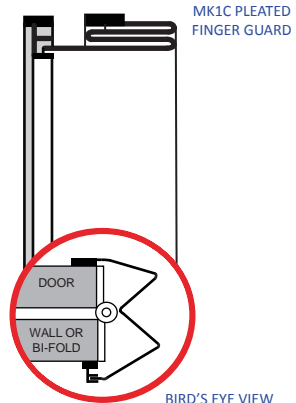
DOOR OPEN VIEW



MK1C- for bi-fold and flush fit doors

MK1C FITTED TO BI-FOLD DOOR

> MK1C- Operates as MK1A but with a unique fixing strip which allows the guard to fit flush with the bi-fold door or frame.



BIRD'S EYE VIEW
DOOR OPEN



DOOR CLOSED VIEW



DOOR OPEN VIEW

SPECIFICATIONS

> DESCRIPTION

Fingersafe offers no resistance or restriction to the door operation and allows 180 degree of opening. It offers draught exclusion and is a smoke inhibitor. It is available as two full height strips for use on each side of a butt-hung door. **MK1A** is a flexible, concertina fitting, positioned on the inward side of the door and fixed to the door frame and the inside hinged edge of the door itself. When the door is closed the fitting is compressed, but when the door is opened the fitting extends and provides a protective covering over the hinge space. **MK1A** units are installed via a fixing strip which allows easy access to the hinge for maintenance. **MK1B** is a flexible, curved fitting, positioned on the outward side of the door and fixed to the door frame and the outside edge of the door. When the door is closed the fitting forms a closed seal over the hinge. When the door is opened, this fitting compresses and provides a stiffened protective covering to the hinge and the space between the door and the frame. **MK1B** units have a built-in fixing strip. **MK1C** units use the standard Fingersafe module, together with a new fixing strip, allowing it to fit bi-fold doors, doors which fit flush to the frame, and commercial aluminium-framed doors.

> COMPOSITION, MANUFACTURE

Fingersafe door safety products are manufactured from a combination of rigid and flexible PVC which is stabilised with calcium zinc to give a durable and colourfast product.

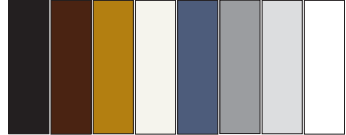
> DIMENSIONS

Stock length is 2032mm. All products can be modified to accommodate wider door openings.

> COLOURS

MK1A and **MK1B** are available in all colours shown below.

MK1C is available in Black, Brown, Cream/Ivory, Blue, Light Grey, Dark Grey and White (not Caramel).



> PERFORMANCE

Unlike inferior finger shield or wrap around devices, Fingersafe allows even a fire door to open 180 degrees and will not implode into itself under pressure.

> COMPATIBILITY

Fingersafe is compatible with all types of doors except double pivot.

> SITEWORK

Installation: Simple to install in only 10-15 minutes.

> ECONOMICS

A two year guarantee on fair wear and tear is offered-supply only.

> SERVICES

Samples will be supplied, upon request, to a potential client's building for evaluation purposes.

> SPECIFICATIONS

British Board of Agreement Data Sheet ADS 022/02 is available on website.

fingersafe[™] **AUSTRALIA**

WWW.FINGERSAFE.COM.AU

4 Craig Road, Donvale VIC 3111

Phone: 9885 8009

Mobile: 0409 235 433

Email: enquiry@fingersafe.com.au

FINGERSAFE MK1A & MK1B FITTING INSTRUCTIONS

www.fingersafe.com.au
4 Craig Road, Donvale 3111
Tel: +61 3 9885 8009
Email: enquiry@fingersafe.com.au

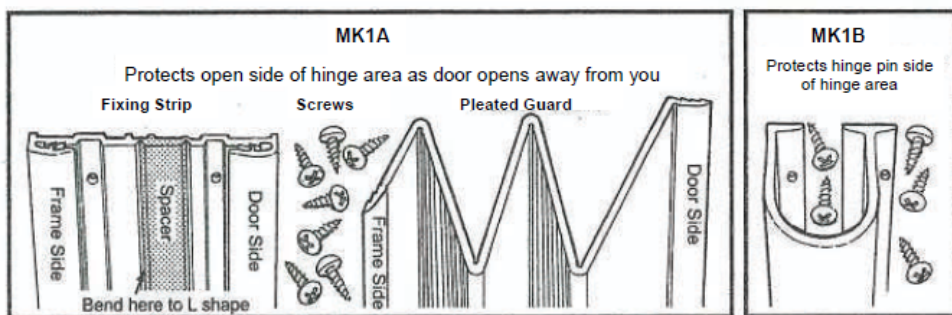
Fingersafe is easy to fit and very reliable when installed correctly. It is essential that these instructions are followed carefully. We can accept no liability or responsibility for incorrect installation. Fingersafe can be installed in 95% of doors, however, it is not suitable for the following types of doors; double swing doors; doors with rising or declining butt hinges; sliding doors.

There are many ways to fit our finger guards. All fitting instructions are contained on the technical page of our website www.fingersafe.com.au. We suggest you review all fitting instructions to ensure you fit the finger guards in the manner most appropriate to your door.

TOOLS REQUIRED FOR FITTING FINGERSAFE

- > Cordless drill (or screwdriver)
 - > Stanley knife (always keep the blade sharp)
 - > Strong scissors, tin snips, or hacksaw
 - > Posidrive bit
 - > Pencil
 - > Self-drilling screws for wood, steel and aluminium doors (provided)
- The screws provided are for wood and metal doors; if installing in wood, make sure the electric screwdriver is set to a low tension.*

COMPONENTS OF FINGERSAFE



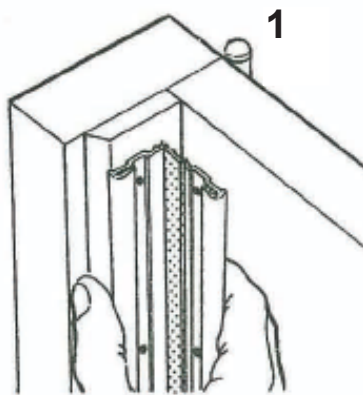
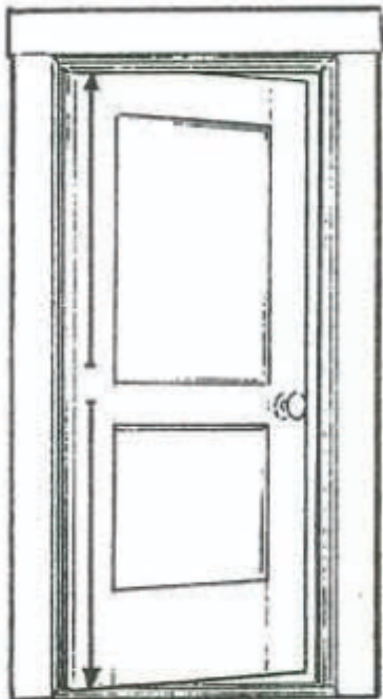
1. Check the stability of the door and hinges by opening the door at a 45 degree angle and gently but firmly exerting lateral and vertical pressure. This will show any instability or damage in the door or frame which must be repaired before you start. If the door has a closer attachment, you must check its effectiveness. If the door closes easily without Fingersafe, it will continue to do so once Fingersafe is installed.

2. After any necessary door maintenance, bring all the tools to the side of the door that swings away from you, and pull the door closed tight.

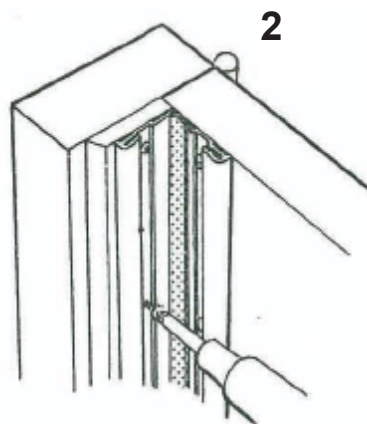
3. Measure from the bottom of the door to the bottom side of the frame at the top. Subtract 3/4 inch (20 mm) for clearance and cut the fixing strip and pleated panel square to length if necessary.

NO LIABILITY WHATSOEVER ACCEPTED IF THESE INSTRUCTIONS ARE NOT FOLLOWED

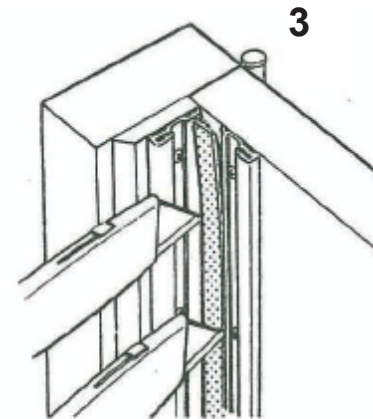
MK1A INSTALLATION INSTRUCTIONS FOR STANDARD HINGED DOOR



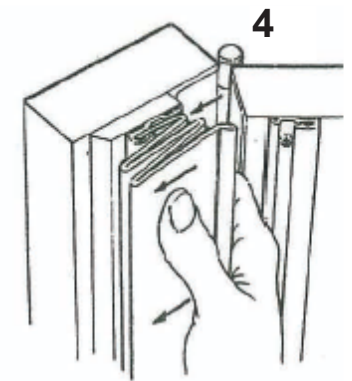
1
When bent, hold corner of L firmly in corner of frame and door. Align with bottom of door.



2
Insert TEK screws on alternating sides, keeping corners firmly in place. Ensure screws are also fastened within 20mm of the top and bottom of the fixing strips.



3
With Stanley knife separate strips at corner and remove spacer.

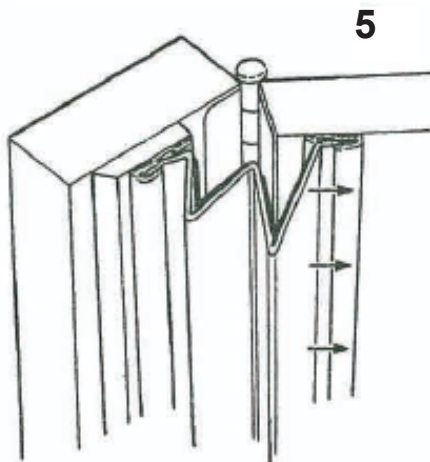


4
Open door 90 degrees and align 1 inch side of pleated panel to frame fixing strip. Snap in position top to bottom.

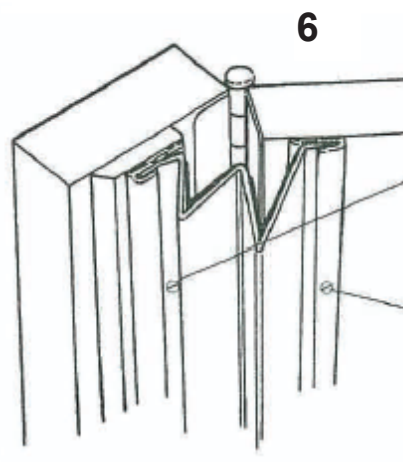
FITTING TIPS

After installing fixing strip, the 1 inch panel must be snapped into frame fixing strip **FIRST**. See no. 4.

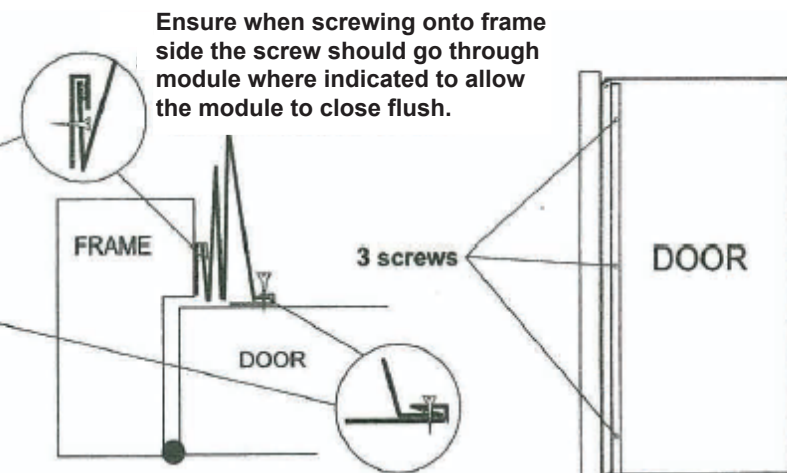
When snapping the Fingersafe panels in position, 3 distinct clicks per side signal a complete installation.



5
Insert 3 inch panel of Fingersafe in door fixing strip.



6
Add TEK screws through both fixing strip and Fingersafe.



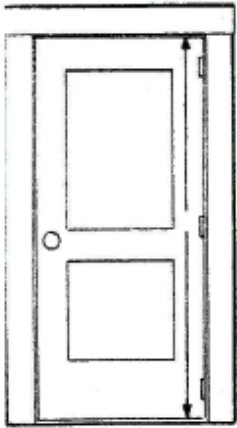
Ensure when screwing onto frame side the screw should go through module where indicated to allow the module to close flush.

3 screws
Ensure when screwing into door side the screw should go through the module and fixing strip as shown.

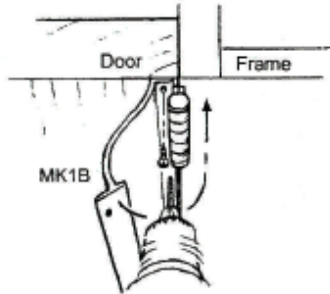
BIRDS EYE VIEW shows Fingersafe fitted with the door closed.

THESE INSTRUCTIONS MUST BE FOLLOWED PRECISELY IN ORDER TO VALIDATE THE 2 YEAR GUARANTEE

MK1B INSTALLATION FOR STANDARD HINGED DOOR

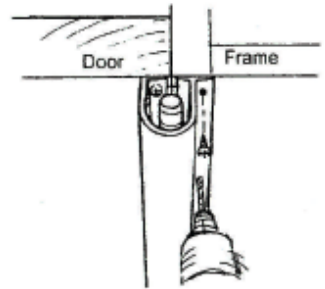


Measure height of the hinge side of door. Cut MK1B square to this length.



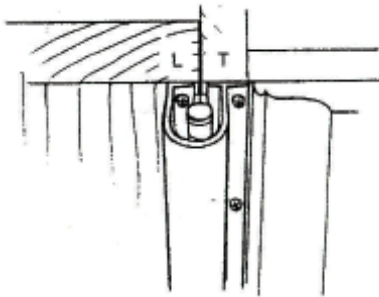
Butt L shaped edge to the door side of hinges while aligning with top and bottom of the door. Secure completely with TEK self tapping screws.

Ensure screws are also fastened within 20mm of the top and bottom of both sides of the finger guard.



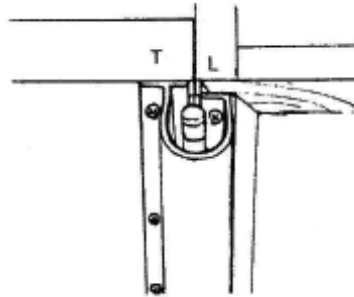
Roll the MK1B over the hinges and butt the T shape to hinges on frame side. Align with L shape top and bottom. Secure with TEK self tapping screws and remove cellophane protective membrane.

TYPICAL INSTALLATION



MK1B must be cut square aligned with top and bottom of door.

EXCEPTION TO TYPICAL



Architrave frame fitted with MK1B reversed, due to limited space on the frame side.

FITTING TIPS:

- 1) Both the L and T must be parallel to door and frame and each other for maximum protection and wear.
- 2) The screws on the L side must be secured first.
- 3) Do not fit the MK1B over hinges that are proud of the door / frame. Either cut to fit finger guard only above / between / below hinges OR fit a 10mm width (by the thickness of the hinge) packing strip to the door / frame to provide a continuous flat surface to fix the finger guard.

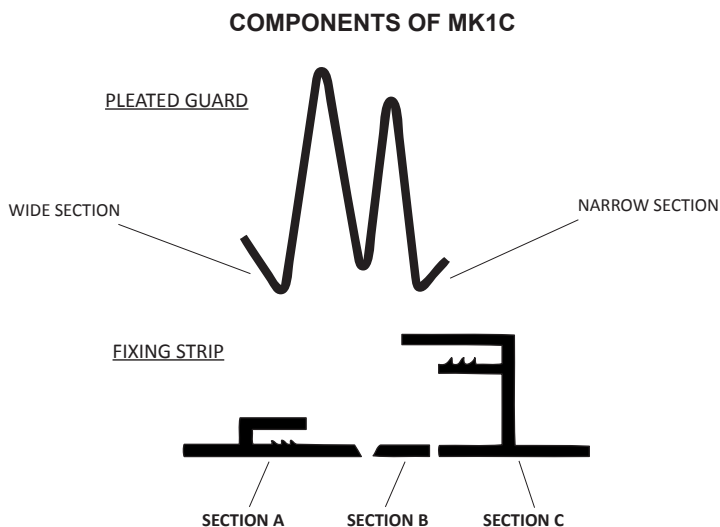
FINGERSAFE MK1C

FITTING INSTRUCTIONS

FOR COMMERCIAL ALUMINIUM FRAMED DOORS WITH A 10MM PROTRUDING DOOR STOP

Fingersafe is easy to fit and very reliable when installed correctly. It is essential that these instructions are followed carefully. We can accept no liability or responsibility for incorrect installation. Fingersafe can be installed in 95% of doors, however, it is not suitable for the following types of doors; double swing doors; doors with rising or declining butt hinges; sliding doors.

There are many ways to fit our finger guards. All fitting instructions are contained on the technical page of our website www.fingersafe.com.au. We suggest you review all fitting instructions to ensure you fit the finger guards in the manner most appropriate to your door.



**Use a stanley knife to cut the strip into sections A, B and C before commencing installation.
Discard section B.**

STEP 1

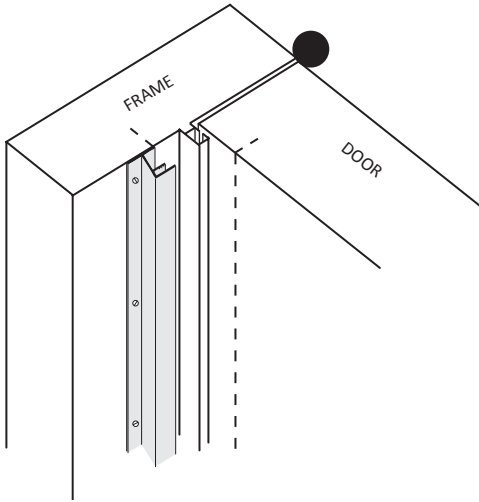
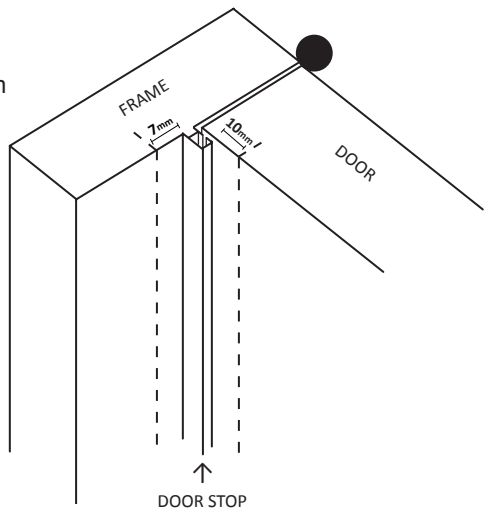
Check the firmness of the door hinges to check for damage and to be sure the door closes- if the door closes easily without Fingersafe it will continue to do so once Fingersafe MK1C is fitted.

STEP 2

The MK1C is designed to fit a standard height door of 2050mm. If the door being fitted is less than this standard height, cut the pleated guard with sharp scissors or tin snips- and cut the fixing strip with a hacksaw- to fit the height of the door less 20mm for clearance.

STEP 3

With the door closed, use a wooden block and a marking pen to draw a guideline on the frame, 7mm from the door stop. Repeat on the door, marking 10mm from the door stop.

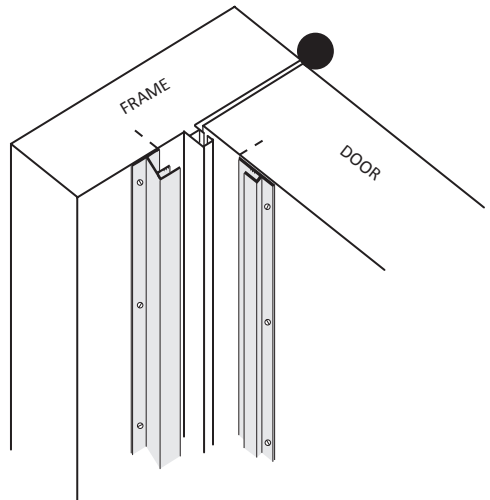


STEP 4

Hold section C along the guideline on the frame, aligning it with the bottom of the door. Once in position, insert TEK screws provided to fasten. Ensure screws are also fastened within 20mm of the top and bottom of the fixing strips.

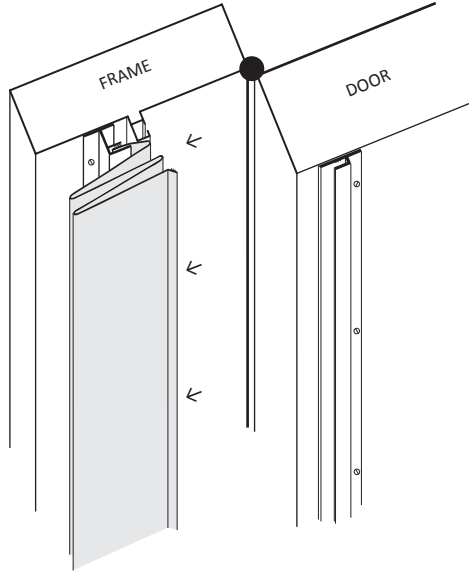
STEP 5

Hold section A along the guideline on the door, aligning it with the bottom of the door. Insert the TEK screws to fasten.



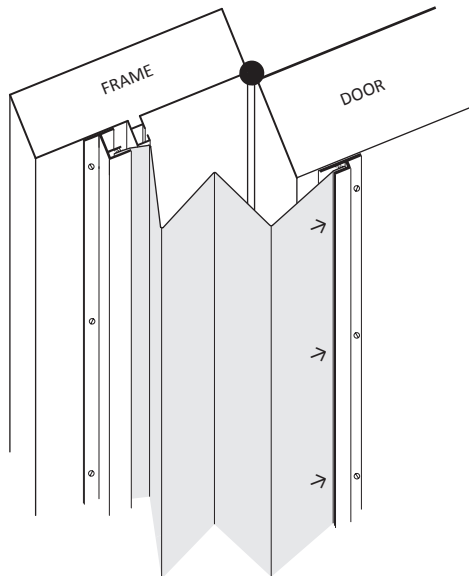
STEP 6

With the door open at a 90° angle, align the wide section of the pleated guard with the section C (frame-side) fixing strip. Starting at the top and moving downwards, snap the pleated guard into the fixing strip, being sure that it is fully locked into the serrations. (Three distinct clicks signal a secure installation.)



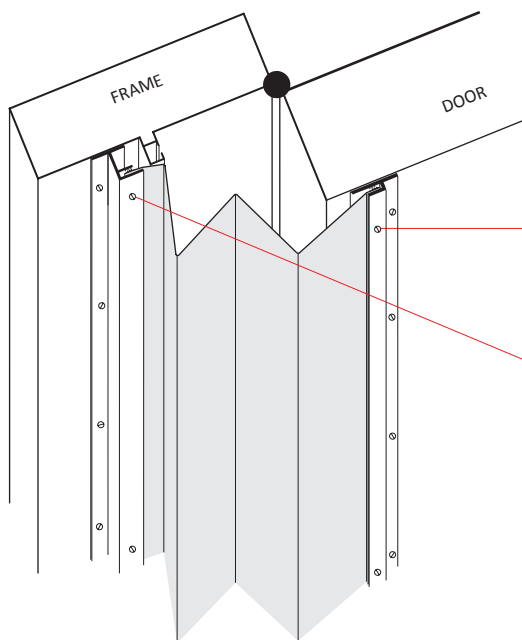
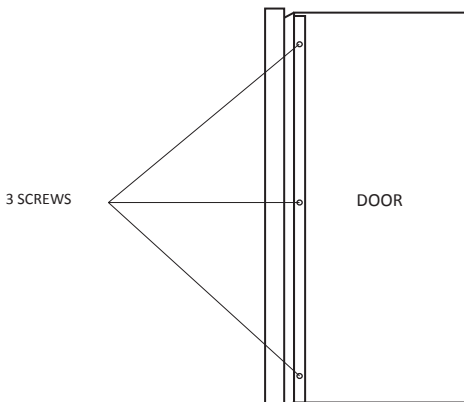
STEP 7

Align the narrow section of the pleated guard with the section A (door-side) fixing strip. Starting at the top and moving downwards, snap the pleated guard into the fixing strip, being sure that it is fully locked into the serrations. (Three distinct clicks signal a secure installation.)



STEP 8

Add TEK screws as shown below (3 screws for each the frame side and door side). This will ensure the pleated guard is secured to the fixing strips.



DOOR-SIDE

Ensure when screwing into door side the screw should go through both the fixing strip and the pleated guard as shown.

FRAME-SIDE

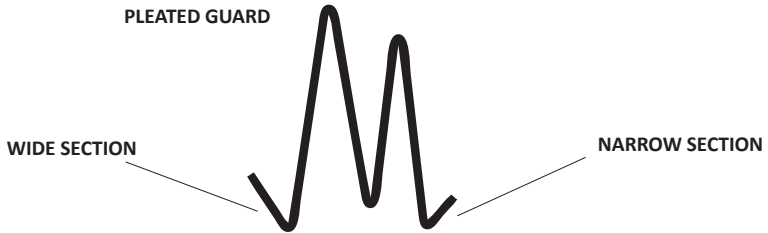
Ensure when screwing into door side the screw should go through both the fixing strip and the pleated guard as shown.

**THESE INSTRUCTIONS MUST BE FOLLOWED PRECISELY IN ORDER
TO VALIDATE THE 2 YEAR GUARANTEE**

FINGERSAFE MK1C FITTING INSTRUCTIONS FOR BI-FOLD DOORS

www.fingersafe.com.au
4 Craig Road, Donvale 3111
Tel: +61 3 9885 8009
Email: enquiry@fingersafe.com.au

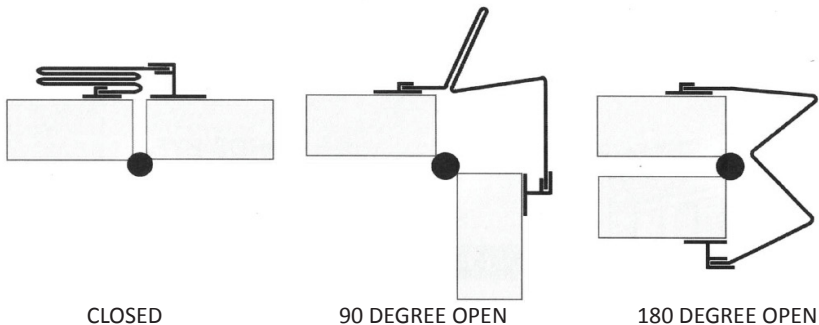
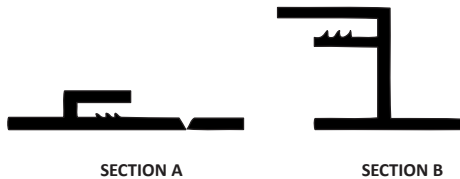
There are many ways to fit our finger guards. All fitting instructions are contained on the technical page of our website www.fingersafe.com.au. We suggest you review all fitting instructions to ensure you fit the finger guards in the manner most appropriate to your door.



THIS PRODUCT USES THE STANDARD FINGERSAFE PLEATED GUARD WITH THIS NEW FIXING STRIP

FIXING STRIP

> Use a stanley knife to cut the strip into sections A and B before commencing installation.



BIRDS EYE VIEW WITH FINGERSAFE MODULE FITTED

STEP 1

Check the firmness of the door hinges to check for damage and to be sure the door operates properly - if the door closes easily without Fingersafe it will continue to do so once Fingersafe MK1C is fitted.

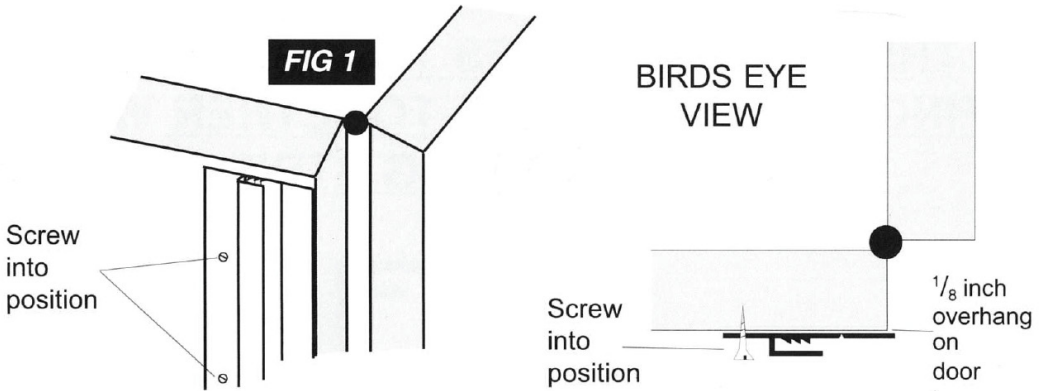
STEP 2

Cut module with sharp scissors or tin snips and fixing strip with the hacksaw to fit the height of the door, ensuring that both finish not less than 20mm (3/4 in) short of the door top and bottom, most strips do not need to be cut at all. Do not cover kickplates if they are more than 3mm (1/8 inch) proud of the door face.

STEP 3

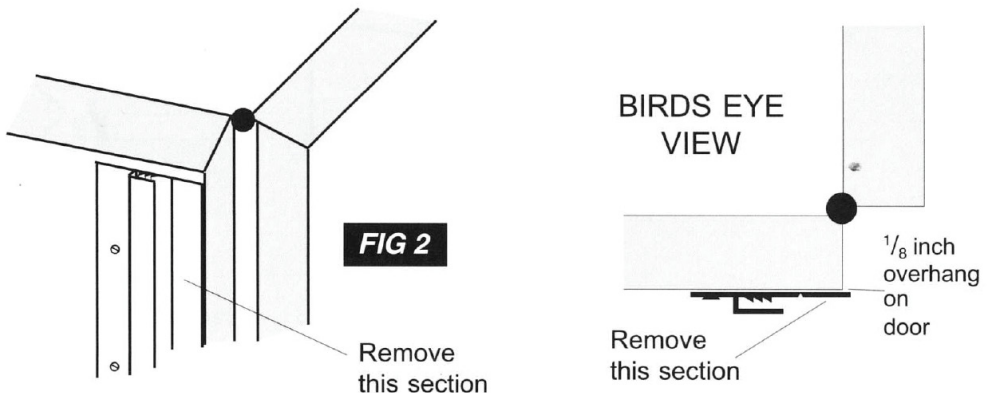
Open the bi-fold to 90 degrees, attach fixing strip A to one side of the bi-fold door. The leading edge must overhang the inside edge of the opening by 1/8 inch. See Fig 1.

Ensure screws are also fastened within 20mm of the top and bottom of the fixing strips.



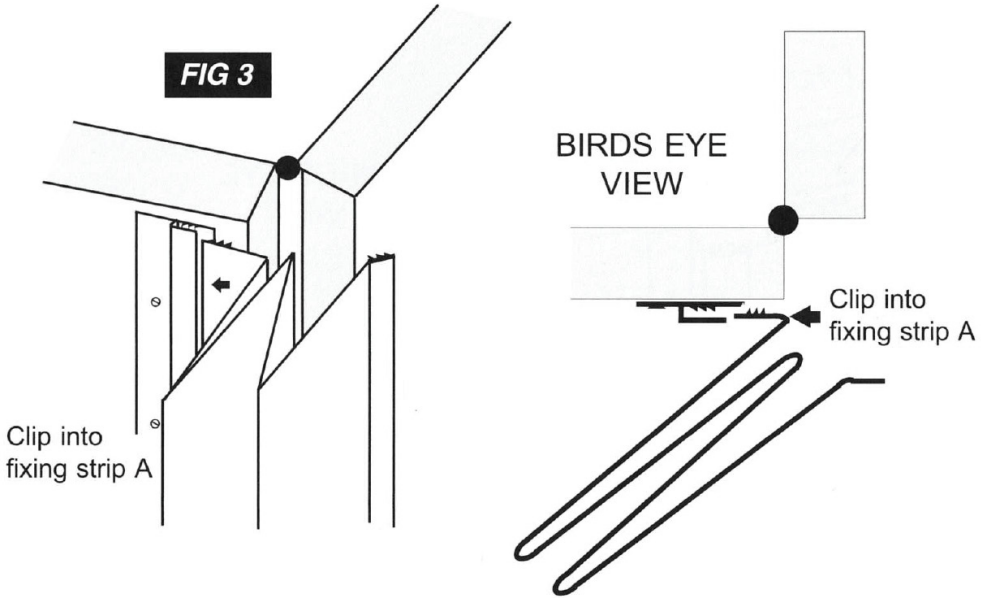
STEP 4

Remove 10mm section by cutting along grooved line with Stanley type blade. See Fig 2.



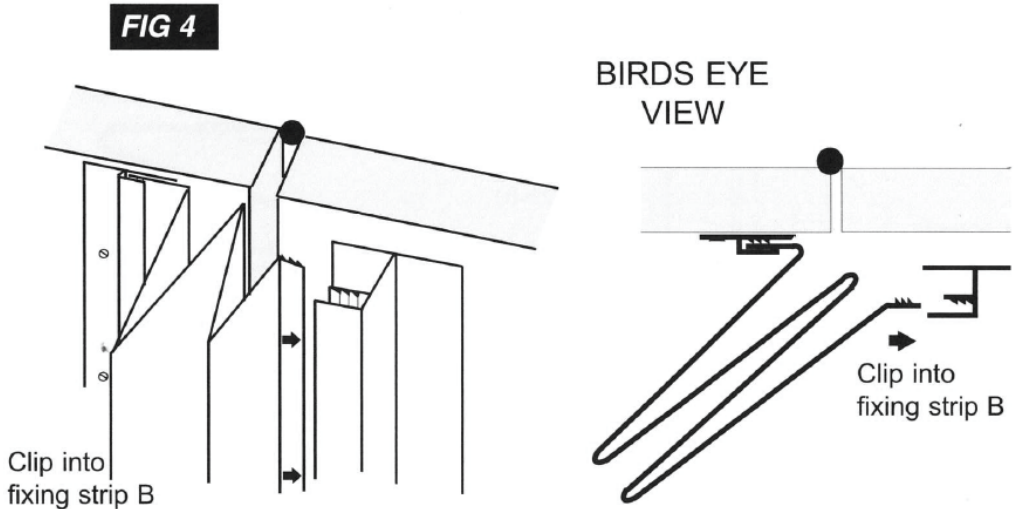
STEP 5

Clip the Fingersafe wide section into the fixing strip A starting at the top being sure it is fully locked into the serrations. See Fig 3. (Three distinct clicks signals a secure installation).



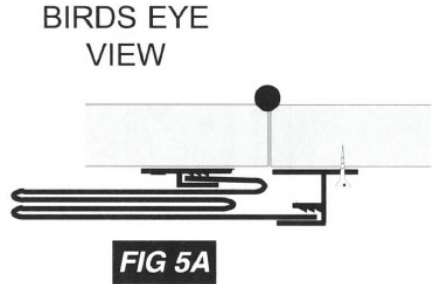
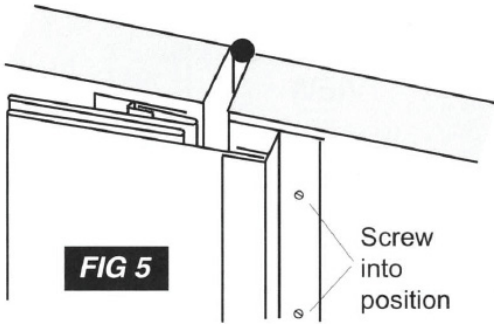
STEP 6

Take the fixing strip B and clip onto the module narrow section being sure that it is full locked into position. See Fig 4. (Three distinct clicks signals a secure installation).



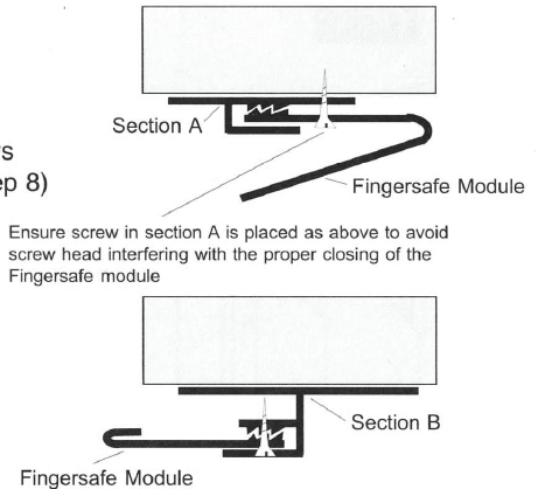
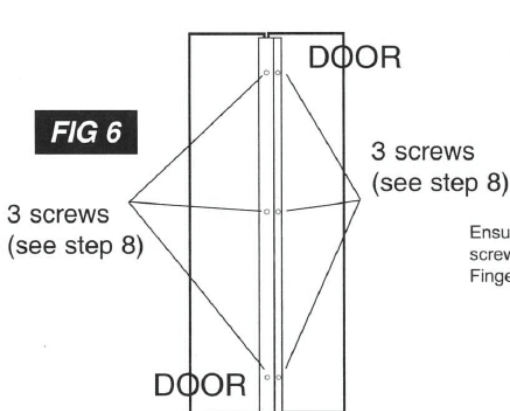
STEP 7

Close the bi-fold door and lay the fixing strip section B with module against the door and screw into position making sure Fingersafe lays flat against door. See Fig 5A.



STEP 8

After opening and closing the door to ensure that the Fingersafe is working as diagrams 1, 2 & 3, attach 3 extra screws top, middle and bottom to both side of unit through both fixing strip and module. See Fig 6.



THESE INSTRUCTIONS MUST BE FOLLOWED PRECISELY IN ORDER TO VALIDATE THE 2 YEAR GUARANTEE

FINGERSAFE MK1C

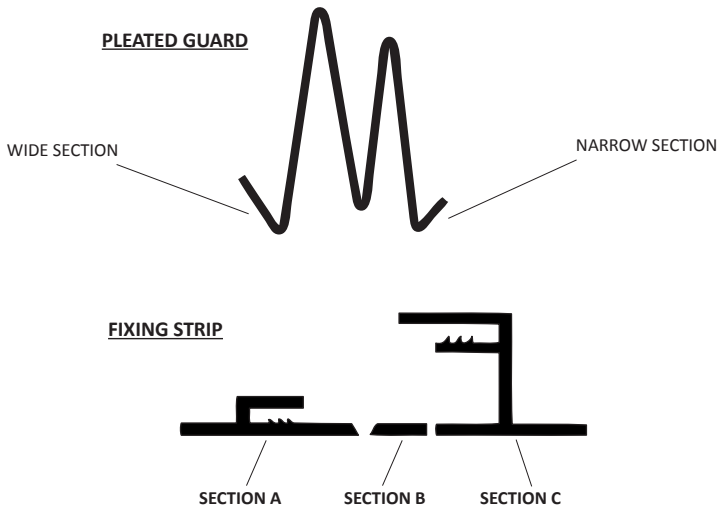
FITTING INSTRUCTIONS

FOR DOORS FLUSH WITH THE FRAME

www.fingersafe.com.au
4 Craig Road, Donvale 3111
Tel: +61 3 9885 8009
Email: enquiry@fingersafe.com.au

There are many ways to fit our finger guards. All fitting instructions are contained on the technical page of our website www.fingersafe.com.au. We suggest you review all fitting instructions to ensure you fit the finger guards in the manner most appropriate to your door.

COMPONENTS OF MK1C



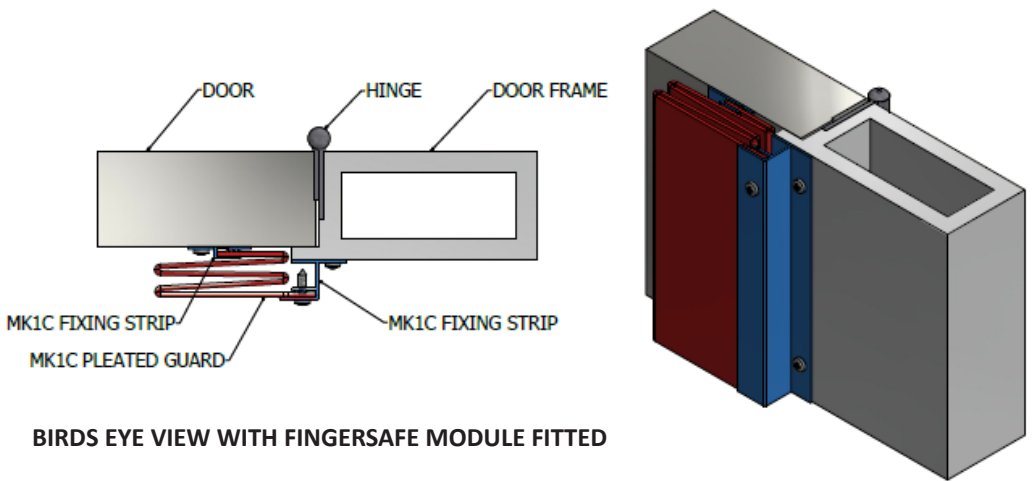
**Use a stanley knife to cut the strip into sections A, B and C before commencing installation.
Discard section B.**

STEP 1

Check the firmness of the door hinges to check for damage and to be sure the door closes- if the door closes easily without Fingersafe it will continue to do so once Fingersafe MK1C is fitted.

STEP 2

The MK1C is designed to fit a standard height door of 2050mm. If the door being fitted is less than this standard height, cut the pleated guard with sharp scissors or tin snips- and cut the fixing strip with a hacksaw- to fit the height of the door less 20mm for clearance.



BIRDS EYE VIEW WITH FINGERSAFE MODULE FITTED

STEP 3

Hold section C so that its inside edge is aligned with the inner edge of the frame, and also aligned with the bottom of the door. Once in position, insert TEK screws provided to fasten. Ensure screws are also fastened within 20mm of the top and bottom of the fixing strips.

STEP 5

Align the wide section of the pleated guard with the section A (door-side) fixing strip. Starting at the top and moving downwards, snap the pleated guard into the fixing strip, being sure that it is fully locked into the serrations. (Three distinct clicks signal a secure installation.)

STEP 7

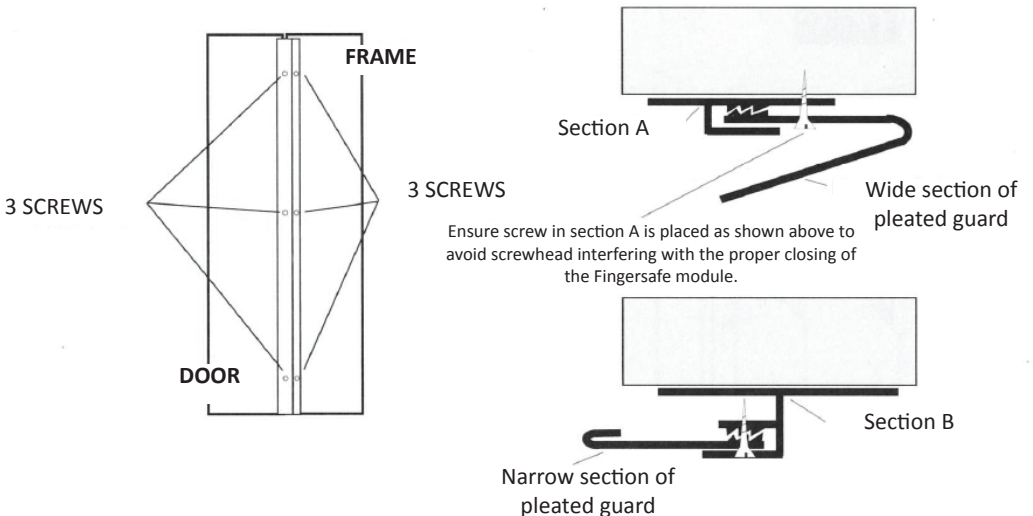
After opening and closing the door to ensure that the Fingersafe is working, attach 3 extra screws top, middle and bottom to both sides of unit through both fixing strip and module.

STEP 4

With the door open at a 90° angle, align the narrow section of the pleated guard with the section C (frame-side) fixing strip. Starting at the top and moving downwards, snap the pleated guard into the fixing strip, being sure that it is fully locked into the serrations. (Three distinct clicks signal a secure installation.)

STEP 6

Close the door and lay the fixing strip section A with module inserted against the door and aligned with the bottom of the door, and screw into position making sure the pleated guard lays flat against door.



3 SCREWS

3 SCREWS

Section A

Wide section of pleated guard

Ensure screw in section A is placed as shown above to avoid screwhead interfering with the proper closing of the Fingersafe module.

Section B

Narrow section of pleated guard